

# Sbend-380

High Performance Microwave Coax Cable

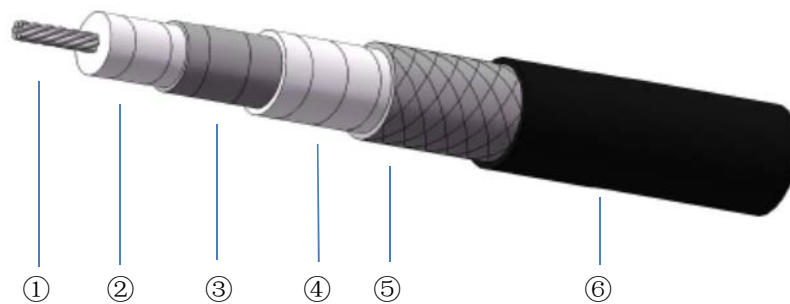
## Product Description

Surperlink Sbend series coaxial cable is an ultra-flexible phase stable cable. It is built with flexible material with rational design. Meanwhile, it has good phase stability. Attenuation and VSWR won't fluctuate rapidly while bending. It is applied to special application condition like narrow space or frequent bending.

## Feature & Benefit

- 81%Vp PTFE Tape+SPC Foil
- Multi-layer protection,excellent stability
- Excellent Softness

## Product Structure

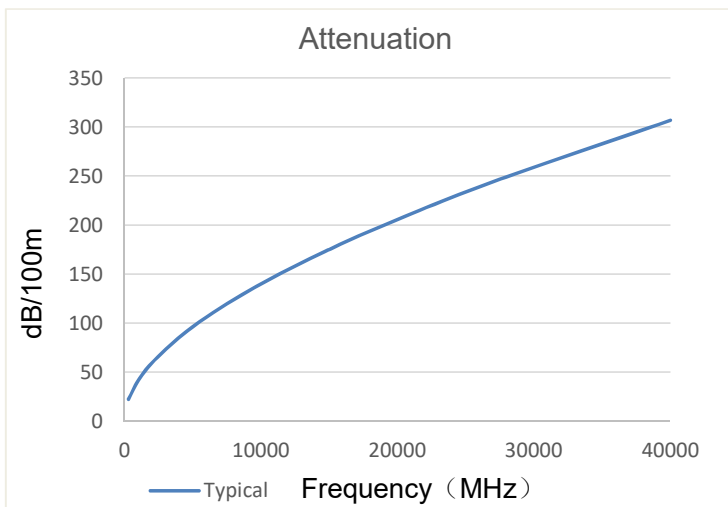


	①Center Conductor	②Dielectric	③Outer Conductor	④Inner Layer	⑤Outer shield	⑥Jacket
Material	SPC	LD PTFE	SPC	PTFE	SPC	PTFE
Size (mm)	0.91±0.03	2.48±0.06	2.70±0.06	2.90±0.06	3.30±0.10	3.80±0.10

## Specifications

Impedance	50Ω
Operation Frequency	40GHz
Velocity of Propagation	81%
Shielding Effectiveness	90dB
Voltage Withstand	900V,DC
Phase Stability(Tem)	600PPM(-55~85°C)
Phase Stability(Bending)	±6° 40GHz
Amplitude Stability	±0.1dB 40GHz
Bend Radius:repeated	36mm
Bend Radius:installation	18mm
Weight	35g/m
Temp, Operating&Installation	-55~200°C
Temp,Storage	-65~200°C

## Attenuation (Typical@25°C VSWR=1.0)



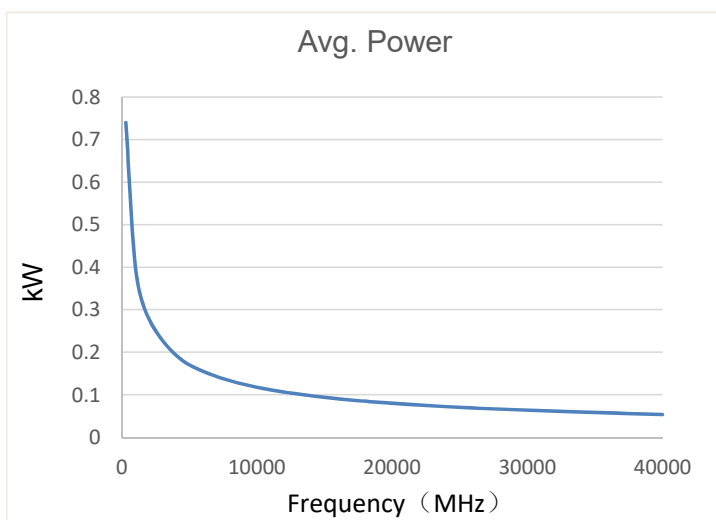
Frequency(MHz)	Attenuation (dB/100m)
300	22.3
1000	41.4
2000	59.3
4000	85.4
6000	106.1
8000	124.0
10000	140.0
12000	154.8
14000	168.6
15000	175.2
18000	194.0
26500	241.6
40000	306.9

$$K1= 1.265700$$

$$K2= 0.0013435$$

$$\text{Attenuation}=K1* \sqrt{F}+K2*F$$

## Power (40°C VSWR=1.0 Sea Level)



Frequency(MHz)	Avg.Power (kW)
300	0.740
1000	0.399
2000	0.279
4000	0.193
6000	0.156
8000	0.133
10000	0.118
12000	0.107
14000	0.098
15000	0.094
18000	0.085
26500	0.068
40000	0.054

Ver A-1