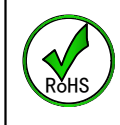
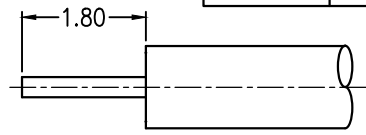


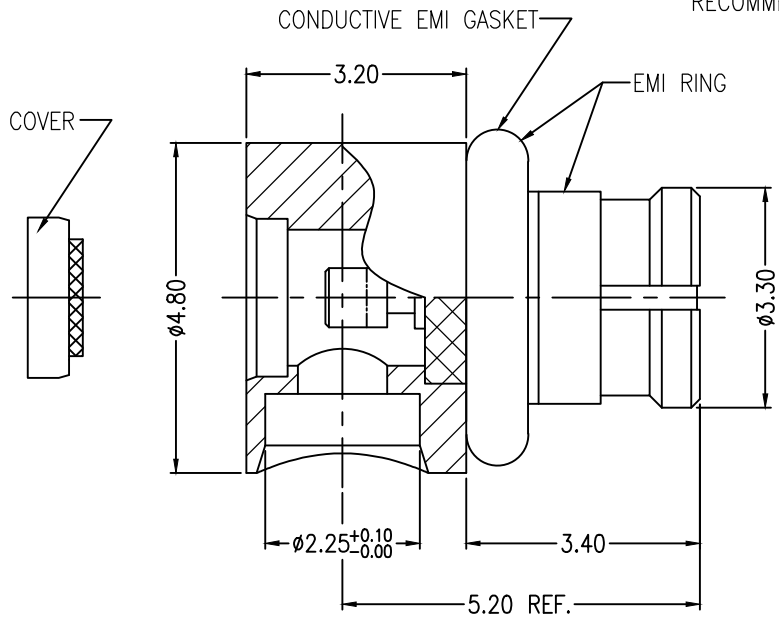
REV.	DESCRIPTION	ECN NO.	NAME	DATE
0	FIRST EDITION	N/A	SYH	2020-12-24



ALL PARTS MUST MEET TO RoHS REQUIREMENTS



RECOMMENDED CABLESTRIPPING DIM'S



MATERIALS AND PLATING		UNIT: MICRO-INCHES
PART NAME	MATERIALS	PLATING
BODY	BERYLLIUM COPPER	GOLD 50u"/NICKEL/COPPER
INSULATOR	PTFE ASTM-D-1710	N/A
CONTACT PIN	BERYLLIUM COPPER	GOLD50u"/NICKEL/COPPER
COVER	BRASS C3604	GOLD10u"/NICKEL/COPPER
GASKET	AlAg LOAFED SILICONE RUBBER	BLUE

ELECTRICAL CHARACTERISTICS	
IMPEDANCE	50 Ω
VOLTAGE RATING	335 V(rms)
FREQUENCY RANGE	DC ~ 26.5 GHz
DIELECTRIC WITHSTANDING VOLTAGE	> 500 V
CONTACT RESISTANCE	CENTER CONTACT < 6.0 mΩ
	OUTER CONTACT < 2.0 mΩ
INSULATION RESISTANCE	> 5000 MΩ
INSERTION LOSS	< 0.1 x √F(GHz) dB
RF-LEAKAGE	N/A
VSWR	< 1.30@DC ~ 18GHz
3RD INTERMODULATION	N/A

MECHANICAL CHARACTERISTICS		
FORCE TO ENGAGE AND DISENGAGE	Full detent	< 15 lbs (Force to engage)
		> 5.0 lbs (Force to disengage)
	Limited detent	< 10 lbs (Force to engage)
		> 2.0 lbs (Force to disengage)
Smooth bore	< 2.0 lbs (Force to engage)	
		> 0.5 lbs (Force to disengage)
CENTER CONTACT RETENTION FORCE		N/A
DURABILITY		> 500 cycles

ENVIRONMENTAL PARAMETER	
TEMPERATURE RANGE	-40 °C ~ +125 °C

*** CUSTOMER OUTLINE DRAWING**

UNLESS OTHERWISE SPECIFIED:
 1) EDGES : C0.15 MAX ;
 2) REMOVE ALL BURRS ;
 3) SURFACE ROUGHNESS : Ra1.6 ;
 4) UNITS : mm ;
 5) DIMENSIONS TOLERANCES
 DECIMALS : .x ±0.3 .xx ±0.2 .xxx ±0.1 ;
 ANGLES : ± 5°.

THIRD ANGLE PROJECTION	
APPROVED :	CUSTOMER P/N :
CHECKED :	SCALE :
DRAWING :	DATE :
	PAGE : 1/1

TITLE : SMP FEMALE R/A
 SOLDER FOR .086" CABLE,50Ω
 DRAWING NO. : 5SPF15R-A82-010
 COMPANY WEBSITE : www.slkcorp.com

CUSTOMER OUTLINE DRAWING