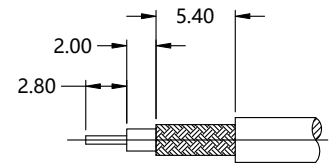


REV.	DESCRIPTION	ECN NO.	NAME	DATE
0	FIRST EDITION	N/A	Kevin.Li	2021-06-21

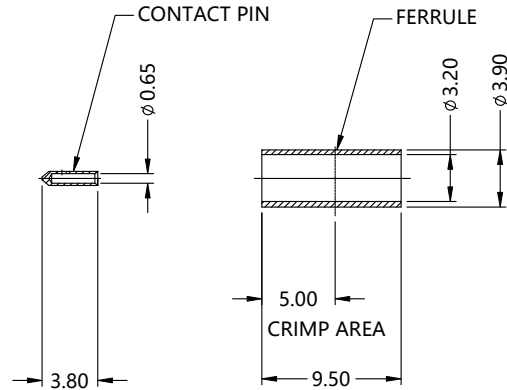
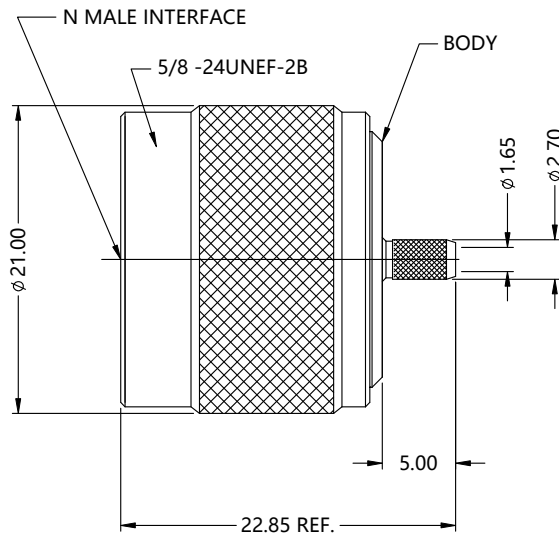


ALL PARTS MUST MEET TO RoHS REQUIREMENTS

REMARKS :  
 1.CONTACT PIN TO SOLDER  
 2.CRIMPED FERRULE CRIMP SIZE .130" HEX.



RECOMMENDED CABLE STRIPPING DIM'S



MATERIALS AND PLATING		UNIT: MICRO-INCHES
PART NAME	MATERIALS	PLATING
BODY	BRASS C3604	NICKEL PL.100 u"/COPPER
INSULATOR	PTFE	N/A
CONTACT PIN	PHOSPHOR BRONZE	GOLD PL.16 u"/COPPER
FERRULE	BRASS	NICKEL PL.100 u"/COPPER
GASKET	SILICONE	N/A

ELECTRICAL CHARACTERISTICS	
IMPEDANCE	50 Ω
VOLTAGE RATING	250 V(rms)
FREQUENCY RANGE	DC ~ 3 GHz
DIELECTRIC WITHSTANDING VOLTAGE	> 750 V
CONTACT RESISTANCE	CENTER CONTACT
	OUTER CONTACT
INSULATION RESISTANCE	> 5000 MΩ
INSERTION LOSS	≤ 0.2 dB
VSWR	< 1.1
3RD INTERMODULATION	N/A

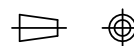
MECHANICAL CHARACTERISTICS	
FORCE TO ENGAGE AND DISENGAGE	N/A
CENTER CONTACT RETENTION FORCE	> 6 lbs
RECOMMENDED COUPLING TORQUE	9-14 in-lbs
COUPLING NUT RETENTION FORCE	> 100 lbs
DURABILITY	> 500 cycles

ENVIRONMENTAL PARAMETER	
TEMPERATURE RANGE	-40 °C ~ +165 °C
WATERPROOF	IP65(MATING AFTER)

\* CUSTOMER OUTLINE DRAWING

UNLESS OTHERWISE SPECIFIED:  
 1) EDGES : C0.15 MAX ;  
 2) REMOVE ALL BURRS ;  
 3) SURFACE ROUGHNESS : Ra1.6 ;  
 4) UNITS : mm ;  
 5) DIMENSIONS TOLERANCES  
 DECIMALS : .x ±0.3 .xx ±0.2 .xxx ±0.1 ;  
 ANGLES : ± 5°.

THIRD ANGLE PROJECTION



APPROVED :

CUSTOMER P/N :

CHECKED :

SCALE :

2:1

DRAWING :

DATE : 2021-06-21

PAGE : 1/1



TITLE : N MALE S/T CRIMP FOR RG316 CABLE,50Ω

DRAWING NO. :

5NCM11S-A02-011

COMPANY WEBSITE : www.slkcorp.com

CUSTOMER OUTLINE DRAWING