
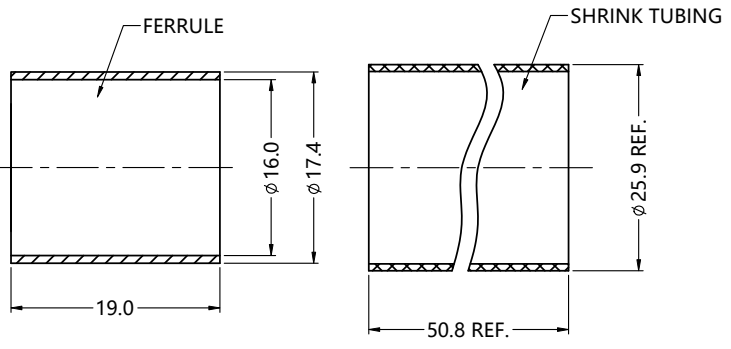
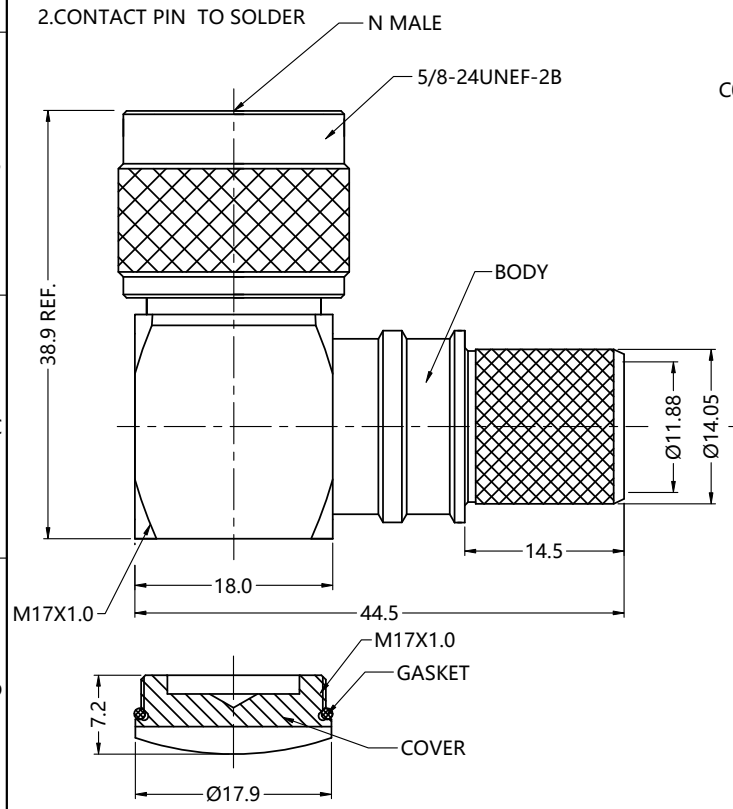
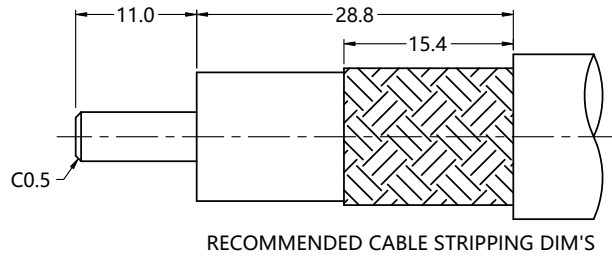


REV.	DESCRIPTION	ECN NO.	NAME	DATE	 ALL PARTS MUST MEET TO RoHS REQUIREMENTS
1	NEW FRAME	N/A	GUO	2020-09-10	
2	UPDATE DRAWING	N/A	HYH	2021-07-13	

REMARKS:

1. CRIMPED FERRULE HEX. CRIMP SIZE.610"
2. CONTACT PIN TO SOLDER



MATERIALS AND PLATING		UNIT: MICRO-INCHES
PART NAME	MATERIALS	PLATING
BODY/SHELL	BRASS C3604	NICKEL PL.200 u"/COPPER
INSULATOR	TEFLON ASTM D1710	N/A
CONTACT PIN	BRASS C3604	GOLD PL.15 u"/COPPER
FERRULE	BRASS C3604	NICKEL PL.200 u"/COPPER
GASKET	SILICONE	N/A


ELECTRICAL CHARACTERISTICS	
IMPEDANCE	50 Ω
VOLTAGE RATING	500 V(rms)
FREQUENCY RANGE	0 ~ 6 GHz
DIELECTRIC WITHSTANDING VOLTAGE	>1500V
CONTACT RESISTANCE	CENTER CONTACT <1.0 mΩ
	OUTER CONTACT <0.2 mΩ
INSULATION RESISTANCE	>5000 MΩ
INSERTION LOSS	ACCORDING AS THE CABLE
VSWR	<1.35
3RD INTERMODULATION	N/A

MECHANICAL CHARACTERISTICS	
FORCE TO ENGAGE AND DISENGAGE	<6 lbs
CENTER CONTACT RETENTION FORCE	>6 lbs
RECOMMENDED COUPLING TORQUE	9-14 in-lbs
COUPLING NUT RETENTION FORCE	>100 lbs
DURABILITY	>500 cycles

ENVIRONMENTAL PARAMETER	
TEMPERATURE RANGE	-55 °C ~ +155 °C
THERMAL SHOCK	US MIL- STD 202, Meth. 107, Cond. B
VIBRATION	US MIL- STD 202, Meth. 204, Cond. B
SHOCK	US MIL- STD 202, Meth. 213, Cond. I
CLIMATIC CLASS	IEC 60068 65/165/21

* CUSTOMER OUTLINE DRAWING

- UNLESS OTHERWISE SPECIFIED:
- 1) EDGES : C0.15 MAX ;
 - 2) REMOVE ALL BURRS ;
 - 3) SURFACE ROUGHNESS : Ra1.6 ;
 - 4) UNITS : mm ;
 - 5) DIMENSIONS TOLERANCES
 DECIMALS : .x ±0.3 .xx ±0.2 .xxx ±0.1;
 ANGLES : ± 5°.

THIRD ANGLE PROJECTION		
APPROVED :	CUSTOMER P/N :	
CHECKED :	SCALE :	
DRAWING :	DATE :	
	HYH	2021-07-13
		PAGE : 1/1



TITLE : N MALE R/A CRIMP FOR LMR600 CABLE,50Ω

DRAWING NO. : 5NCM11R-A22

COMPANY WEBSITE : www.slkcorp.com

CUSTOMER OUTLINE DRAWING