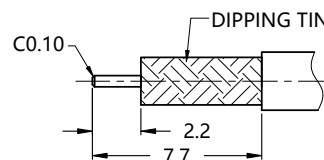


REV	DESCRIPTION	ECN NO	NAME	DATE
0	FIRST EDITION	N/A	Liu	2021-04-15
1	Update the drawing	N/A	Liu	2021-04-16

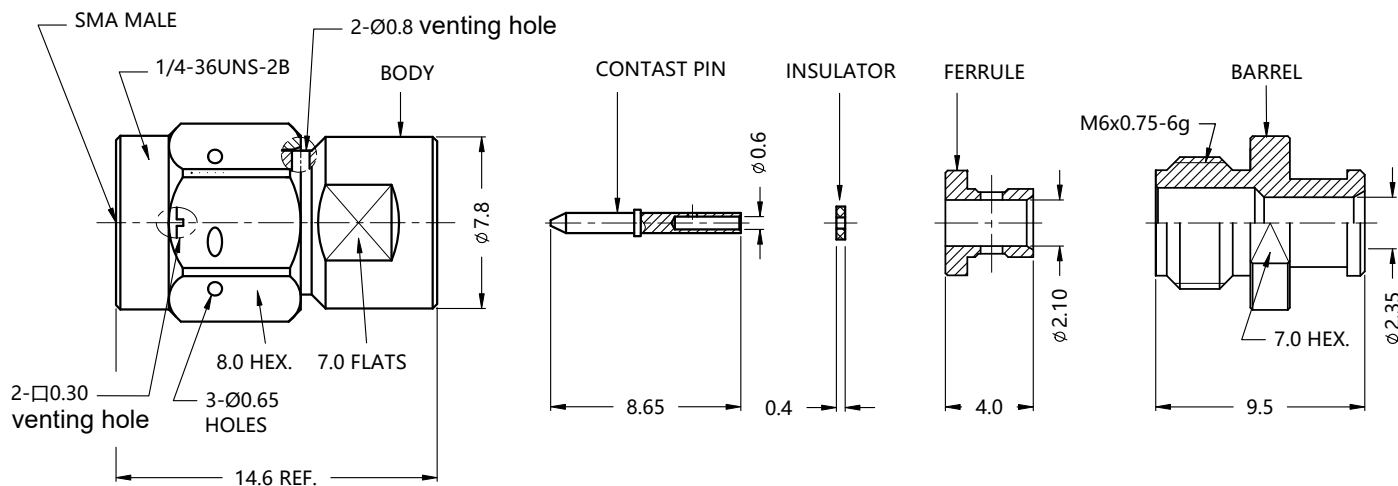


ALL PARTS MUST MEET TO RoHS REQUIREMENTS

REMARKS:
 1.ADDS SIZE: 7.4mm
 2.CONTACT PIN TO SOLDER
 3.FERRULE TO SOLDER



RECOMMENDED CABLE STRIPPING DIM'S



MATERIALS AND PLATING		UNIT: MICRO-INCHES
BODY/SHELL	STAINLESS STEEL 303Cu	PASSIVATION
CONTACT PIN	Be-Cu C17300	GOLD 50 u"/NICKEL/COPPER
INSULATOR	PEI/PTFE ASTM-D-1710	N/A
FERRULE	BRASS C3604	GOLD 10 u"/NICKEL/COPPER
BARREL	STAINLESS STEEL 303Cu	PASSIVATION

ELECTRICAL CHARACTERISTICS	
IMPEDANCE	50 Ω
VOLTAGE RATING	N/A
FREQUENCY RANGE	DC ~ 26.5 GHz
DIELECTRIC WITHSTANDING VOLTAGE	>750 V
CONTACT RESISTANCE	CENTER CONTACT <3.0 mΩ
	OUTER CONTACT <2.0 mΩ
INSULATION RESISTANCE	>5000 MΩ
INSERTION LOSS	<0.1√F(GHz) dB
RF- LEAKAGE	N/A
VSWR	<1.30
3RD INTERMODULATION	N/A

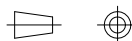
MECHANICAL CHARACTERISTICS	
FORCE TO ENGAGE AND DISENGAGE	N/A
CENTER CONTACT RETENTION FORCE	N/A
RECOMMENDED COUPLING TORQUE	7~10 in-lbs
COUPLING NUT RETENTION FORCE	> 60 lbs
DURABILITY	>500 cycles

ENVIRONMENTAL CHARACTERISTICS	
TEMPERATURE RANGE	-40 °C~+125 °C

***CUSTOMER OUTLINE DRAWING**

UNLESS OTHERWISE SPECIFIED:
 1) C0.15 MAX;
 2) REMOVE ALL BURRS;
 3) SURFACE ROUGHNESS : Ra1.6;
 4) UNITS:mm;
 5) DIMENSIONS TOLERANCES
 DECIMALS .x ±0.3 .xx ±0.2 .xxx±0.1
 ANGLES ±5°

THIRD ANGLE PROJECTION



APPROVED:

CUSTOMER P/N:

CHECKED:

SCALE:

3:1

DRAWING:

DATE: 2021-04-16

COMPANY WEBSITE: www.slkcorp.com



TITLE: SMA MALE S/T SOLDER FOR HF-090 CABLE,50Ω

DRAWING NO: 5MAM15S-A570-002

CUSTOMER OUTLINE DRAWING