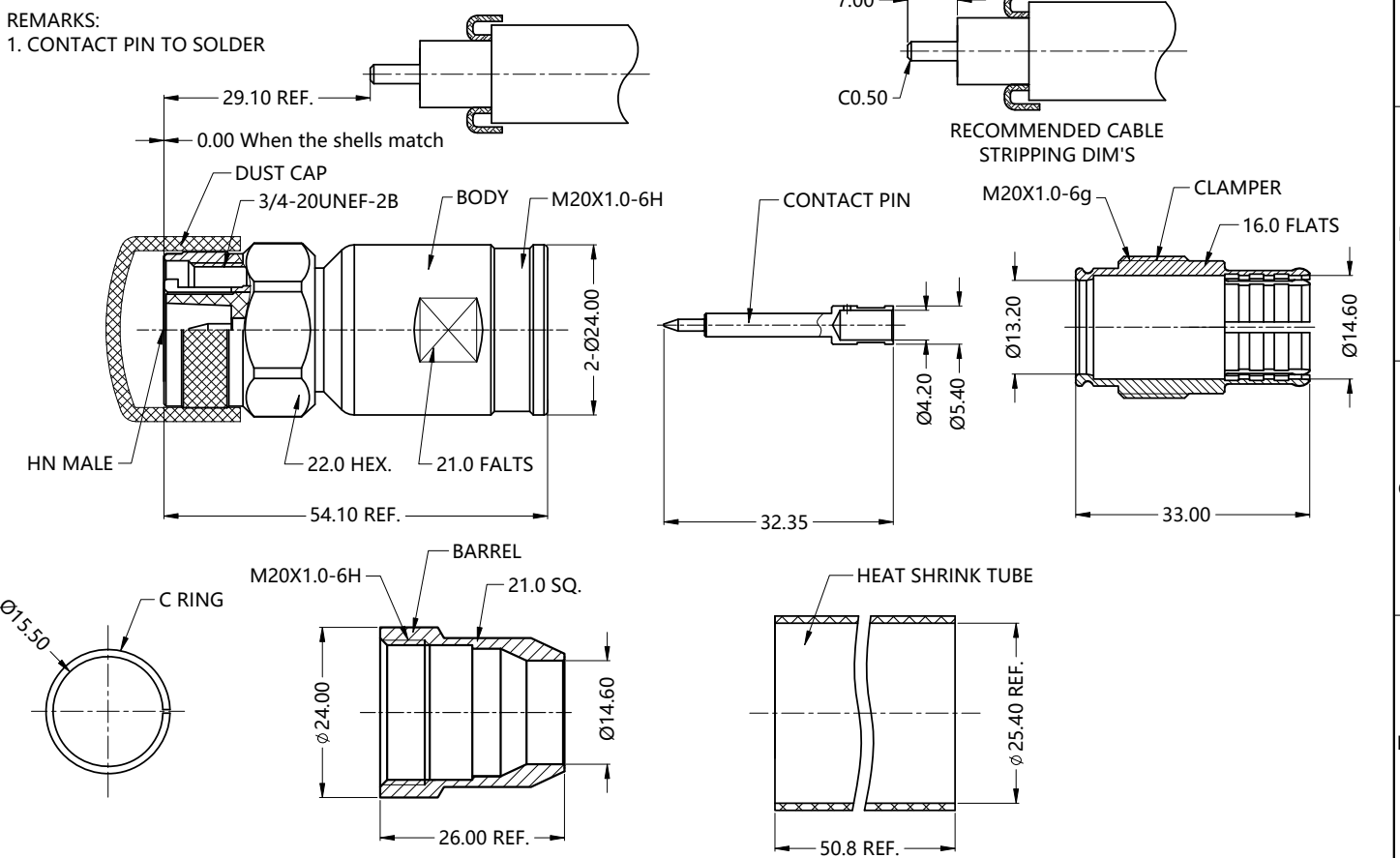


REV.	DESCRIPTION	ECN NO.	NAME	DATE			
0	FIRST EDITION	N/A	HRWEI	2021-03-18			



ALL PARTS MUST MEET TO RoHS REQUIREMENTS

REMARKS:
1. CONTACT PIN TO SOLDER



MATERIALS AND PLATING		UNIT: MICRO-INCHES
PART NAME	MATERIALS	PLATING
BODY/SHELL	BRASS C3604	ALBALOY 100 u"/COPPER
CONTACT PIN	BRASS	SILVER 200 u"/COPPER
INSULATOR	PTFE ASTM-D-1710	N/A
GASKET	SILICONE	RED
BARREL	BRASS C3604	ALBALOY 100 u"/COPPER
CLAMPER	Sn-P bronze QSn4-3	ALBALOY 100 u"/COPPER

ELECTRICAL CHARACTERISTICS		
IMPEDANCE	50 Ω	
VOLTAGE RATING	N/A	
FREQUENCY RANGE	0~1 GHz	
DIELECTRIC WITHSTANDING VOLTAGE	>5000 V	
CONTACT RESISTANCE	CENTER CONTACT	<1.0 mΩ
	OUTER CONTACT	<0.2 mΩ
INSULATION RESISTANCE	>10000 MΩ	
INSERTION LOSS	<0.1x√F(GHz) dB	
VSWR	<1.20	
3RD INTERMODULATION	N/A	

MECHANICAL CHARACTERISTICS	
CABLE-CONNECTOR ANTI-TORQUE	>30 in.lbs (With heat shrink tubing)
CABLE RETENTION FORCE	>200 lbs
RECOMMENDED COUPLING TORQUE	9~14 in.lbs
COUPLING NUT RETENTION FORCE	>100 lbs
DURABILITY	>500 cycles

ENVIRONMENTAL PARAMETER	
TEMPERATURE RANGE	-40 °C~+125 °C
VIBRATION	US MIL - STD 202, Meth. 204, Cond. B
SHOCK	US MIL - STD 202, Meth. 213, Cond. I
THERMAL SHOCK	US MIL - STD 202, Meth. 107, Cond. B

* CUSTOMER OUTLINE DRAWING

UNLESS OTHERWISE SPECIFIED:
 1) EDGES : C0.15 MAX ;
 2) REMOVE ALL BURRS ;
 3) SURFACE ROUGHNESS : Ra1.6 ;
 4) UNITS : mm ;
 5) DIMENSIONS TOLERANCES
 DECIMALS : .x ±0.3 .xx ±0.2 .xxx±0.1;
 ANGLES : ± 5°.

THIRD ANGLE PROJECTION		
APPROVED :	CUSTOMER P/N :	
CHECKED :	SCALE :	1 : 1
DRAWING :	DATE :	2021-03-18
	PAGE :	1/1

TITLE : HN MALE S/T CLAMP FOR SFT-600(056") CABLE,50Ω
 DRAWING NO. : 5HNM14S-A270-001
 COMPANY WEBSITE : www.slkcorp.com

CUSTOMER OUTLINE DRAWING